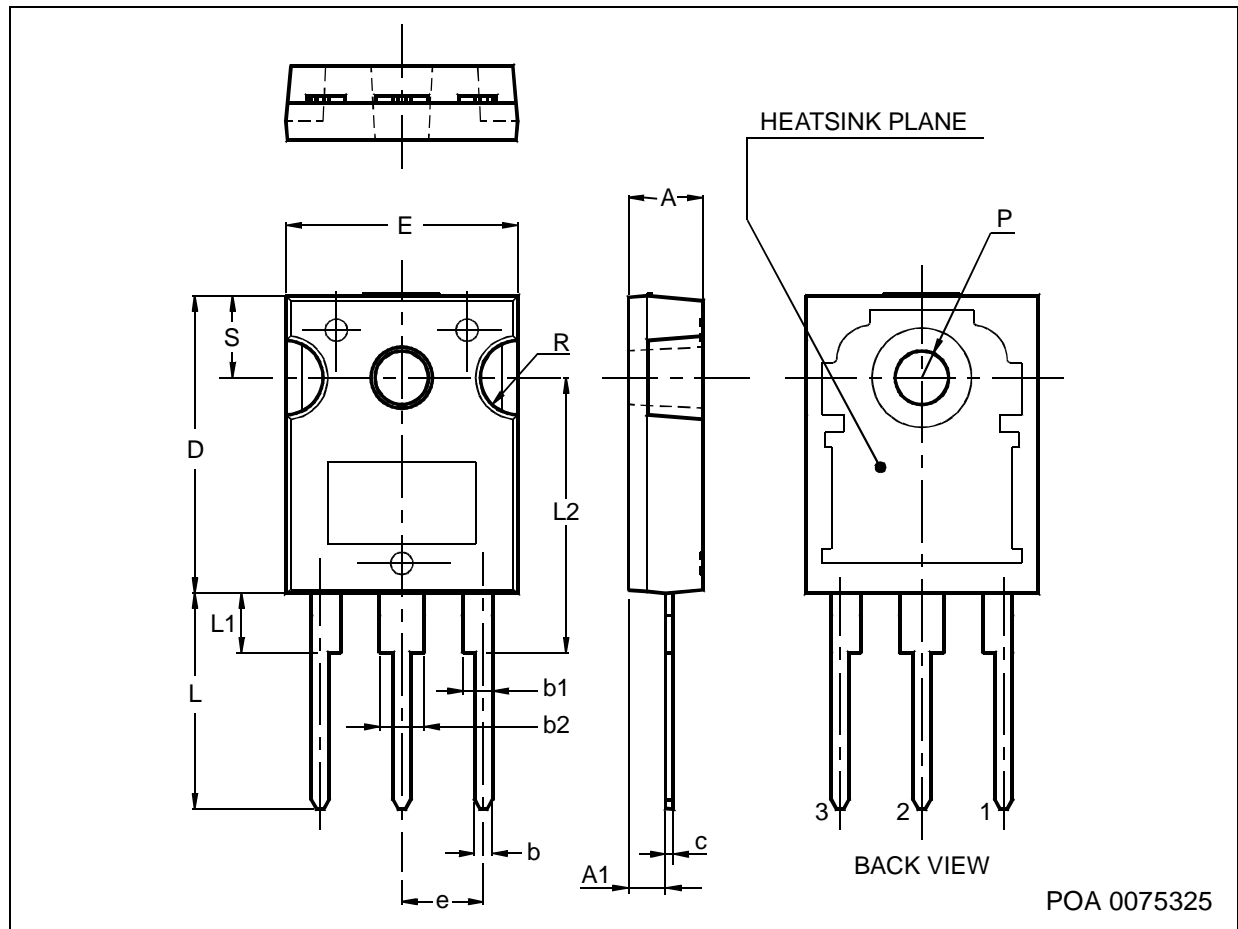
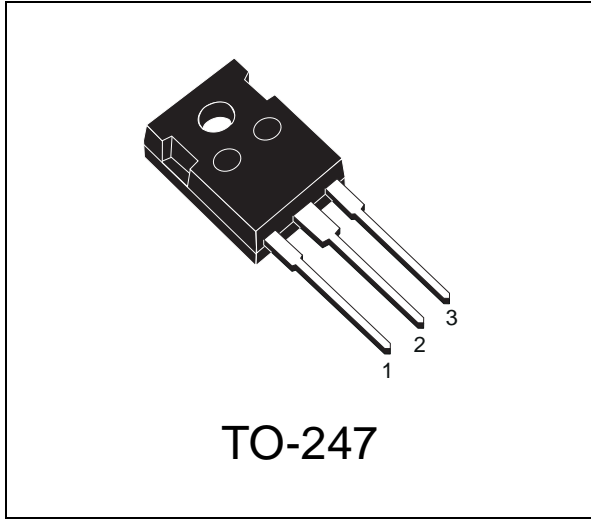
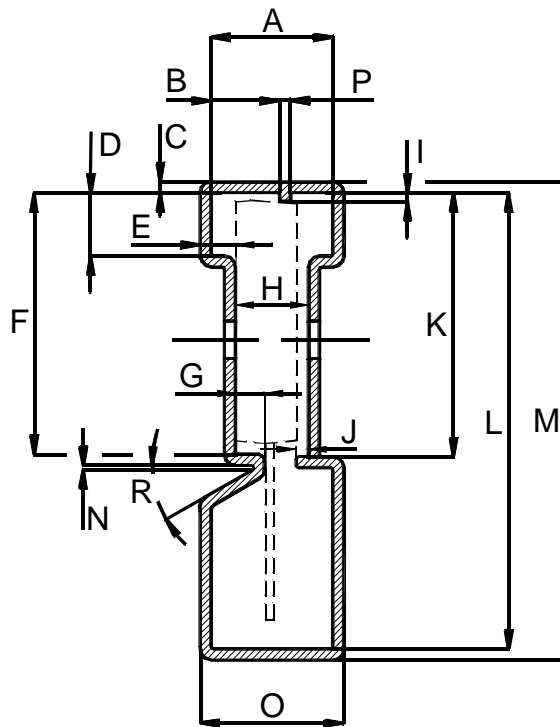


DIMENSIONS						
REF.	mm			inch		
	TYP.	MIN.	MAX.	TYP.	MIN.	MAX.
A		4.85	5.15		0.190	0.200
A1		2.20	2.60		0.080	0.100
b		1.00	1.40		0.040	0.050
b1		2.00	2.40		0.070	0.090
b2		3.00	3.40		0.110	0.130
c		0.40	0.80		0.015	0.030
D		19.85	20.15		0.781	0.793
E		15.45	15.75		0.600	0.620
e	5.45			0.215		
L		14.20	14.80		0.560	0.580
L1		3.70	4.30		0.140	0.170
L2	18.50			0.720		
P		3.55	3.65		0.140	0.143
R		4.50	5.50		0.177	0.210
S	5.50			0.210		



TUBE SHIPMENT INFORMATION



TUBE MECHANICAL DATA		
	mm.	inch
A	10.00 (±0.15)	0.394 (±0.006)
B	5.60	0.220
C	0.90 (±0.10)	0.035 (±0.004)
D	5.20	0.205
E	2.90 (±0.15)	0.114 (±0.006)
F	21.50 (±0.20)	0.846 (±0.008)
G	2.50 (+0 / -0.30)	0.098 (+0 / -0.012)
H	6.00 (±0.20)	0.236 (±0.008)
I	0.60	0.024
J	1.00	0.039
K	21.70 (+0 / -0.30)	0.854 (+0 / -0.012)
L	37.50 (±0.20)	1.476 (±0.008)
M	39.30	1.547
N	0.40	0.016
O	11.80	0.465
P	1.00	0.039
R	30°	30°

BASE QUANTITY	30 pcs.
BULK QUANTITY	600 pcs.