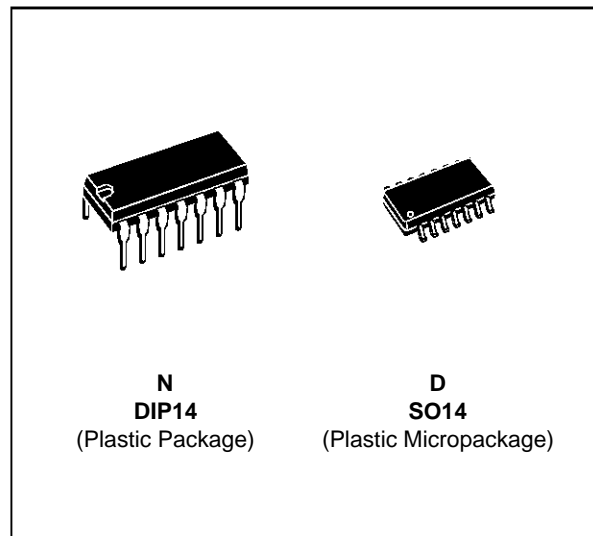


LOW POWER J-FET QUAD OPERATIONAL AMPLIFIERS

- VERY LOW POWER CONSUMPTION : 200 μ A
- WIDE COMMON-MODE (UP TO V_{CC}^+) AND DIFFERENTIAL VOLTAGE RANGES
- LOW INPUT BIAS AND OFFSET CURRENTS
- OUTPUT SHORT-CIRCUIT PROTECTION
- HIGH INPUT IMPEDANCE J-FET INPUT STAGE
- INTERNAL FREQUENCY COMPENSATION
- LATCH UP FREE OPERATION
- HIGH SLEW RATE : 3.5V/ μ s



DESCRIPTION

The TL064, TL064A and TL064B are high speed J-FET input quad operational amplifiers. Each of these J-FET input operational amplifiers incorporates well matched, high voltage J-FET and bipolar transistors in a monolithic integrated circuit.

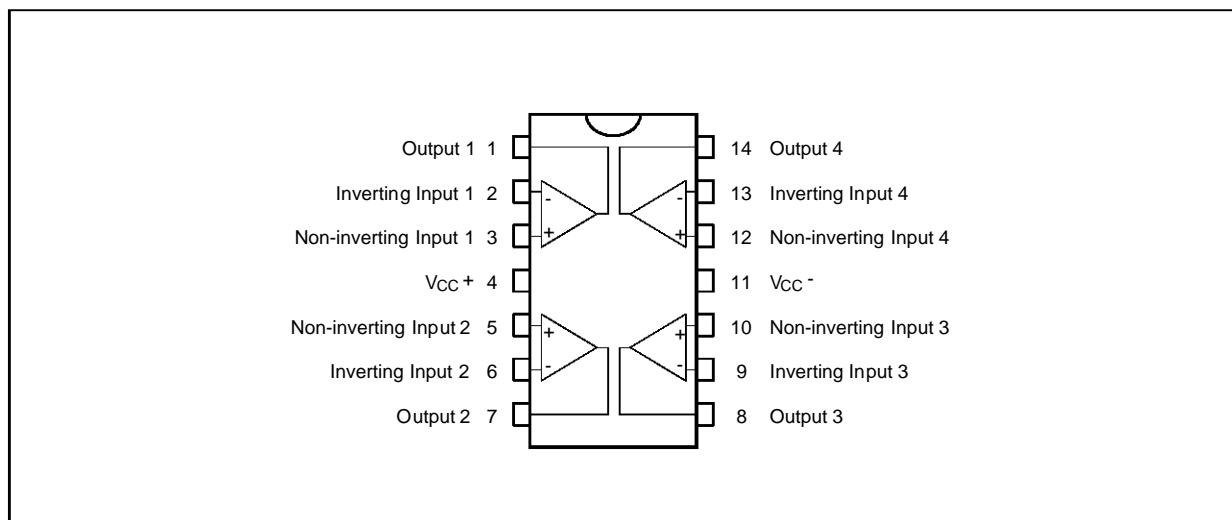
The device features high slew rate, low input bias and offset currents, and low offset voltage temperature coefficient.

ORDER CODES

Part Number	Temperature Range	Package	
		N	D
TL064M/AM/BM	-55°C, +125°C	•	•
TL064I/AI/BI	-40°C, +105°C	•	•
TL064C/AC/BC	0°C, +70°C	•	•

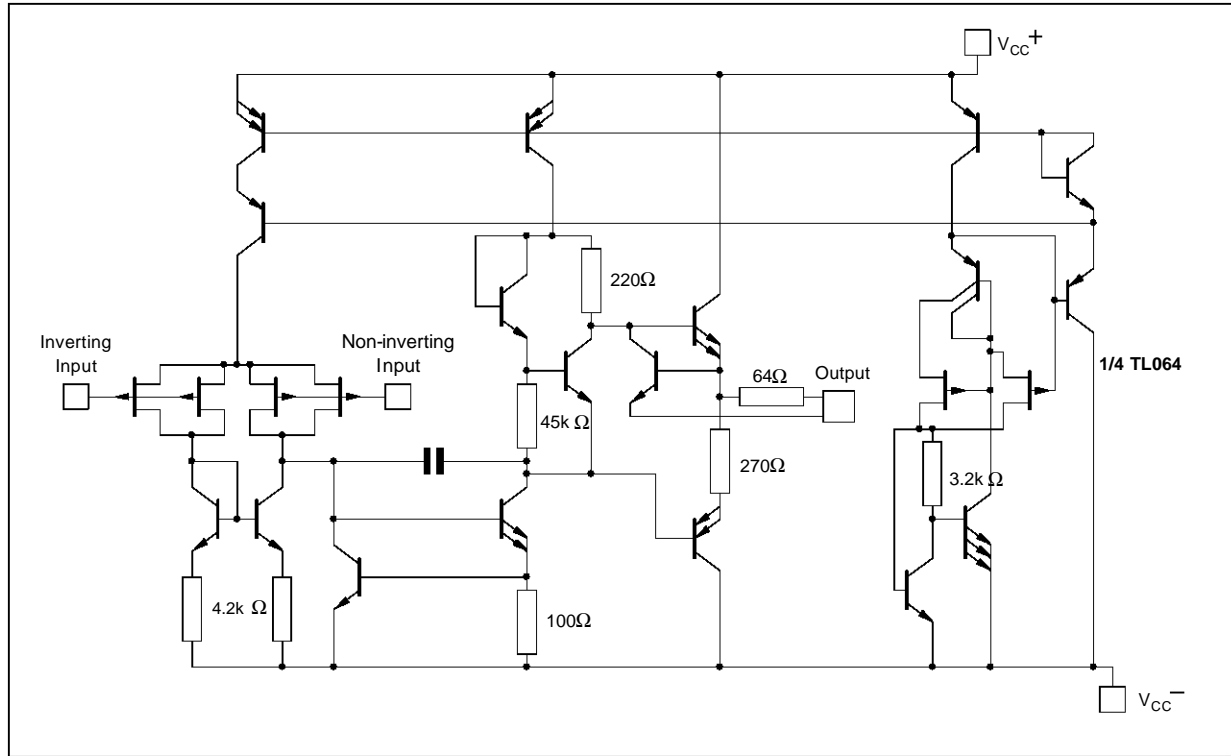
Example : TL064IN

PIN CONNECTIONS (top view)



TL064 - TL064A - TL064B

SCHEMATIC DIAGRAM



MAXIMUM RATINGS

Symbol	Parameter	TL064M,AM,BM	TL064I,AI,BI	TL064C,AC,BC	Unit
V_{CC}	Supply Voltage - (note 1)	± 18	± 18	± 18	V
V_i	Input Voltage - (note 3)	± 15	± 15	± 15	V
V_{id}	Differential Input Voltage - (note 2)	± 30	± 30	± 30	V
P_{tot}	Power Dissipation	680	680	680	mW
	Output Short-Circuit Duration (Note 4)	Infinite	Infinite	Infinite	
T_{oper}	Operating Free-Air Temperature Range	-55 to +125	-40 to +105	0 to +70	$^{\circ}C$
T_{stg}	Storage Temperature Range	-65 to +150	-65 to +150	-65 to +150	$^{\circ}C$

- Notes:**
1. All voltage values, except differential voltage, are with respect to the zero reference level (ground) of the supply voltages where the zero reference level is the midpoint between V_{CC}^+ and V_{CC}^- .
 2. Differential voltages are the non-inverting input terminal with respect to the inverting input terminal.
 3. The magnitude of the input voltage must never exceed the magnitude of the supply voltage or 15 volts, whichever is less.
 4. The output may be shorted to ground or to either supply. Temperature and/or supply voltages must be limited to ensure that the dissipation rating is not exceeded.

ELECTRICAL CHARACTERISTICS

V_{CC} = ± 15V, T_{amb} = 25°C (unless otherwise specified)

Symbol	Parameter	TL064M			TL064I			TL064C			Unit
		Min.	Typ.	Max.	Min.	Typ.	Max.	Min.	Typ.	Max.	
V _{io}	Input Offset Voltage (R _s = 50Ω) T _{amb} = 25°C T _{min.} ≤ T _{amb} ≤ T _{max.}		3	6 15		3	6 9		3	15 20	mV
DV _{io}	Temperature Coefficient of Input Offset Voltage (R _s = 50Ω)		10			10			10		μV/°C
I _{io}	Input Offset Current * T _{amb} = 25°C T _{min.} ≤ T _{amb} ≤ T _{max.}		5	100 20		5	100 10		5	200 5	pA nA
I _{ib}	Input Bias Current * T _{amb} = 25°C T _{min.} ≤ T _{amb} ≤ T _{max.}		30	200 50		30	200 20		30	400 10	pA nA
V _{icm}	Input Common Mode Voltage Range	±11.5	+15 -12		±11.5	+15 -12		±11	+15 -12		V
V _{OPP}	Output Voltage Swing (R _L = 10kΩ) T _{amb} = 25°C T _{min.} ≤ T _{amb} ≤ T _{max.}	20 20	27		20 20	27		20 20	27		V
A _{vd}	Large Signal Voltage Gain (R _L = 10kΩ, V _o = ± 10V) T _{amb} = 25°C T _{min.} ≤ T _{amb} ≤ T _{max.}	4 4	6		4 4	6		3 3	6		V/mV
GBP	Gain Bandwidth Product (T _{amb} = 25°C, R _L = 10kΩ, C _L = 100pF)		1			1			1		MHz
R _i	Input Resistance		10 ¹²			10 ¹²			10 ¹²		Ω
CMR	Common Mode Rejection Ratio (R _s = 50Ω)	80	86		80	86		70	76		dB
SVR	Supply Voltage Rejection Ratio (R _s = 50Ω)	80	95		80	95		70	95		dB
I _{cc}	Supply Current (Per Amplifier) (T _{amb} = 25°C, no load, no signal)		200	250		200	250		200	250	μA
V _{O1} /V _{O2}	Channel Separation (A _v = 100, T _{amb} = 25°C)		120			120			120		dB
P _D	Total Power Consumption (T _{amb} = 25°C, no load, no signal)		6	7.5		6	7.5		6	7.5	mW

* The input bias currents of a FET-input operational amplifier are normal junction reverse currents, which are temperature sensitive. Pulse techniques must be used that will maintain the junction temperature as close to the ambient temperature as possible.

ELECTRICAL CHARACTERISTICS (continued)

V_{CC} = ± 15V, T_{amb} = 25°C

Symbol	Parameter	TL064C,I,M			Unit
		Min.	Typ.	Max.	
SR	Slew Rate (V _i = 10V, R _L = 10kΩ, C _L = 100pF, A _v = 1)	1.5	3.5		V/μs
t _r	Rise Time (V _i = 20mV, R _L = 10kΩ, C _L = 100pF, A _v = 1) (see Figure 1)		0.2		μs
K _{OV}	Overshoot Factor (V _i = 20mV, R _L = 10kΩ, C _L = 100pF, A _v = 1) (see figure 1)		10		%
e _n	Equivalent Input Noise Voltage (R _s = 100Ω, f = 1KHz)		42		$\frac{nV}{\sqrt{Hz}}$

TL064 - TL064A - TL064B

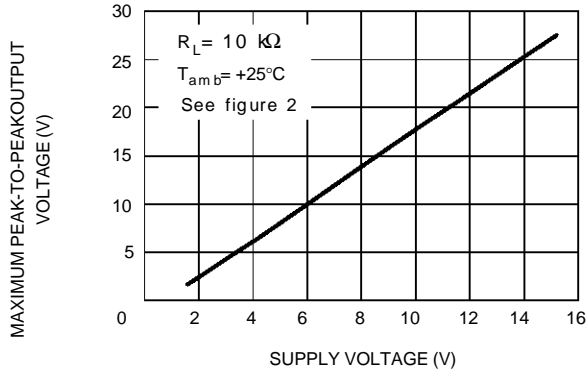
ELECTRICAL CHARACTERISTICS (continued)

$V_{CC} = \pm 15V$, $T_{amb} = 25^{\circ}C$ (unless otherwise specified)

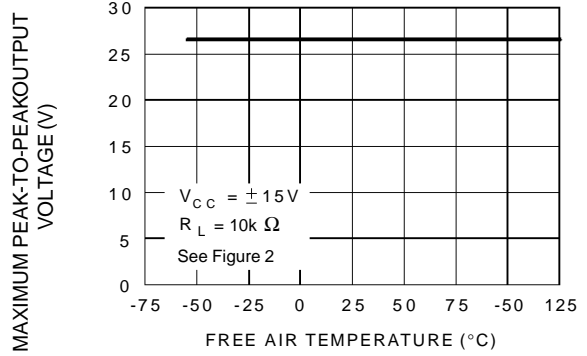
Symbol	Parameter	TL064AC,AI,AM			TL064BC,BI,BM			Unit
		Min.	Typ.	Max.	Min.	Typ.	Max.	
V_{io}	Input Offset Voltage ($R_s = 50\Omega$) $T_{amb} = 25^{\circ}C$ $T_{min.} \leq T_{amb} \leq T_{max.}$		3	6 7.5		2	3 5	mV
DV_{io}	Temperature Coefficient of Input Offset Voltage ($R_s = 50\Omega$)		10			10		$\mu V/^{\circ}C$
I_{io}	Input Offset Current * $T_{amb} = 25^{\circ}C$ $T_{min.} \leq T_{amb} \leq T_{max.}$		5	100 3		5	100 3	pA nA
I_{ib}	Input Bias Current * $T_{amb} = 25^{\circ}C$ $T_{min.} \leq T_{amb} \leq T_{max.}$		30	200 7		30	200 7	pA nA
V_{icm}	Input Common Mode Voltage Range	± 11.5	+15 -12		± 11.5	+15 -12		V
V_{OPP}	Output Voltage Swing ($R_L = 10k\Omega$) $T_{amb} = 25^{\circ}C$ $T_{min.} \leq T_{amb} \leq T_{max.}$	20 20	27		20 20	27		V
A_{vd}	Large Signal Voltage Gain ($R_L = 10k\Omega$, $V_o = \pm 10V$) $T_{amb} = 25^{\circ}C$ $T_{min.} \leq T_{amb} \leq T_{max.}$	4 4	6		4 4	6		V/mV
GBP	Gain Bandwidth Product ($T_{amb} = 25^{\circ}C$, $R_L = 10k\Omega$, $C_L = 100pF$)		1			1		MHz
R_i	Input Resistance		10^{12}			10^{12}		Ω
CMR	Common Mode Rejection Ratio ($R_s = 50\Omega$)	80	86		80	86		dB
SVR	Supply Voltage Rejection Ratio ($R_s = 50\Omega$)	80	95		80	95		dB
I_{cc}	Supply Current (Per Amplifier) ($T_{amb} = 25^{\circ}C$, no load, no signal)		200	250		200	250	μA
V_{O1}/V_{O2}	Channel Separation ($A_v = 100$, $T_{amb} = 25^{\circ}C$)		120			120		dB
P_D	Total Power Consumption (Each Amplifier) ($T_{amb} = 25^{\circ}C$, no load, no signal)		6	7.5		6	7.5	mW
SR	Slew Rate ($V_i = 10V$, $R_L = 10k\Omega$, $C_L = 100pF$, $A_v = 1$)	1.5	3.5		1.5	3.5		V/ μs
t_r	Rise Time ($V_i = 20mV$, $R_L = 10k\Omega$, $C_L = 100pF$, $A_v = 1$)		0.2			0.2		μs
K_{OV}	Overshoot Factor ($V_i = 20mV$, $R_L = 10k\Omega$, $C_L = 100pF$, $A_v = 1$) - (see figure 1)		10			10		%
e_n	Equivalent Input Noise Voltage ($R_s = 100\Omega$, $f = 1KHz$)		42			42		$\frac{nV}{\sqrt{Hz}}$

* The input bias currents of a FET-input operational amplifier are normal junction reverse currents, which are temperature sensitive. Pulse techniques must be used that will maintain the junction temperature as close to the ambient temperature as possible.

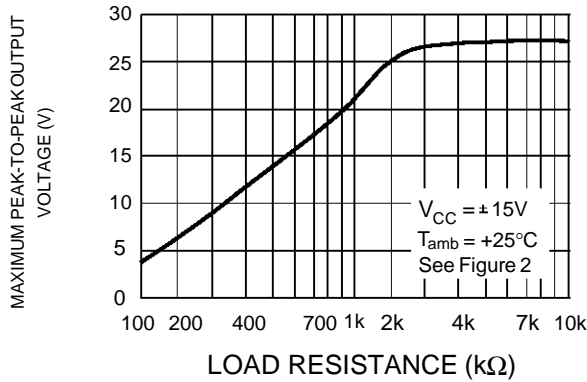
MAXIMUM PEAK-TO-PEAK OUTPUT VOLTAGE VERSUS SUPPLY VOLTAGE



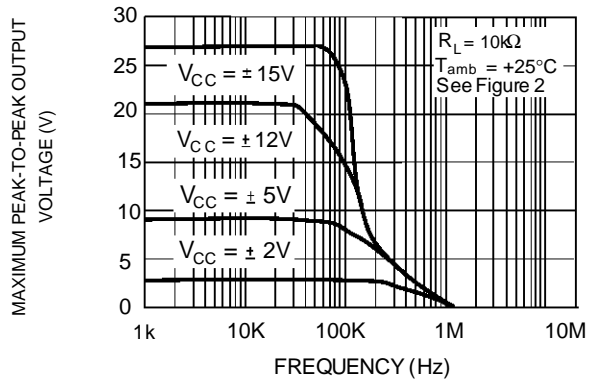
MAXIMUM PEAK-TO-PEAK OUTPUT VOLTAGE VERSUS FREE AIR TEMP.



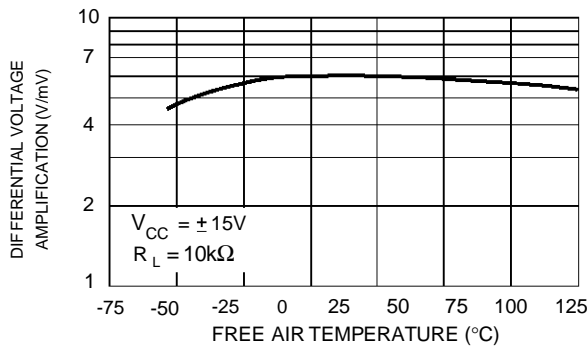
MAXIMUM PEAK-TO-PEAK OUTPUT VOLTAGE VERSUS LOAD RESISTANCE



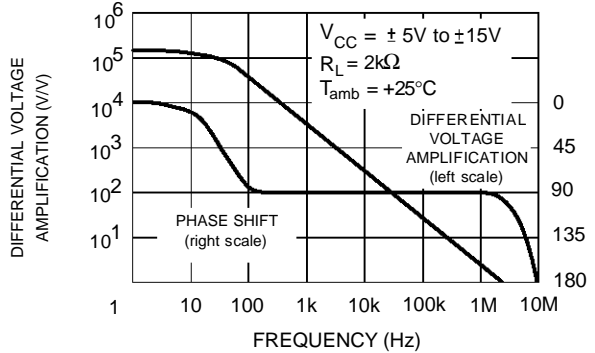
MAXIMUM PEAK-TO-PEAK OUTPUT VOLTAGE VERSUS FREQUENCY



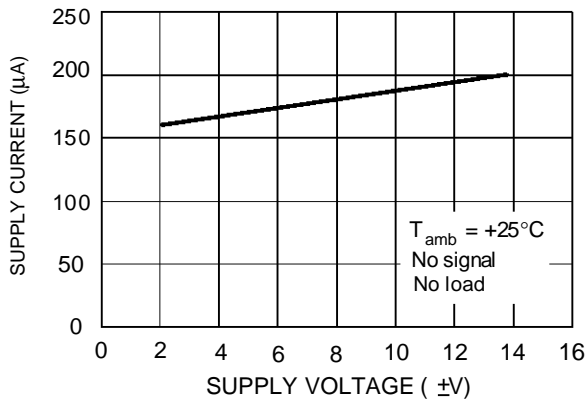
DIFFERENTIAL VOLTAGE AMPLIFICATION VERSUS FREE AIR TEMPERATURE



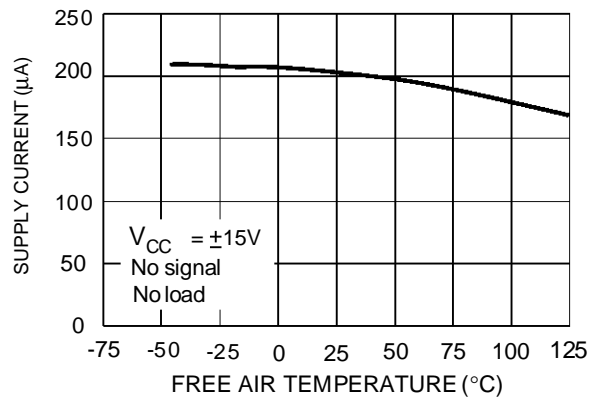
LARGE SIGNAL DIFFERENTIAL VOLTAGE AMPLIFICATION AND PHASE SHIFT VERSUS FREQUENCY



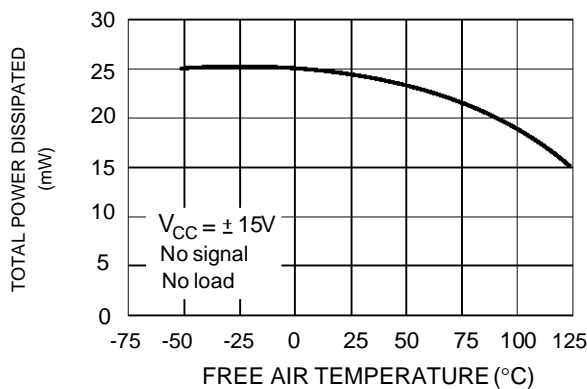
SUPPLY CURRENT PER AMPLIFIER VERSUS SUPPLY VOLTAGE



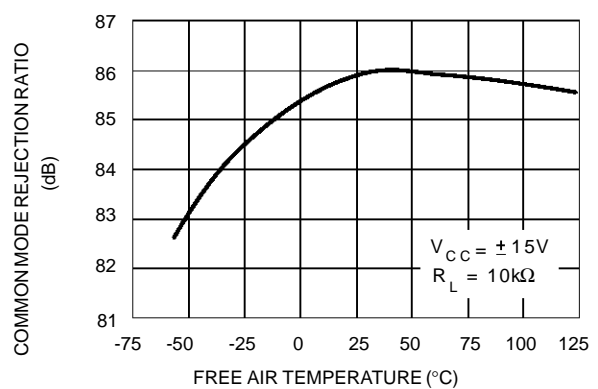
SUPPLY CURRENT PER AMPLIFIER VERSUS FREE AIR TEMPERATURE



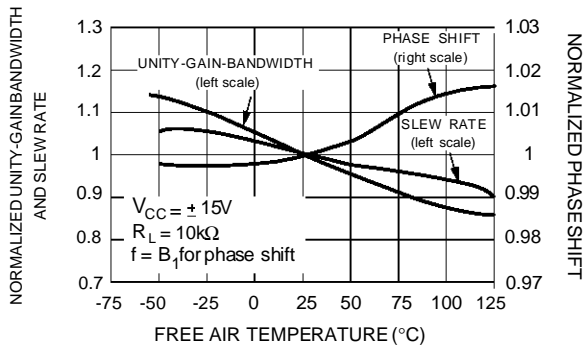
TOTAL POWER DISSIPATED VERSUS FREE AIR TEMPERATURE



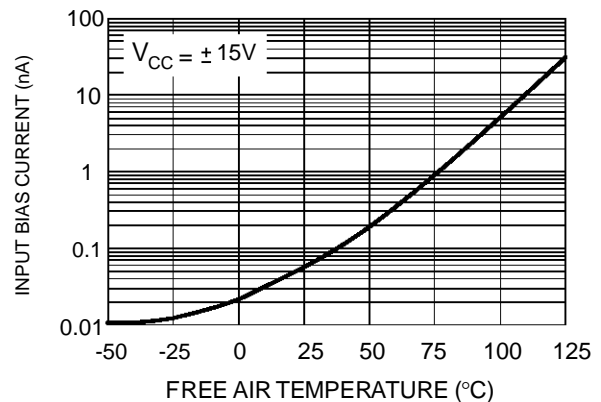
COMMON MODE REJECTION RATIO VERSUS FREE AIR TEMPERATURE



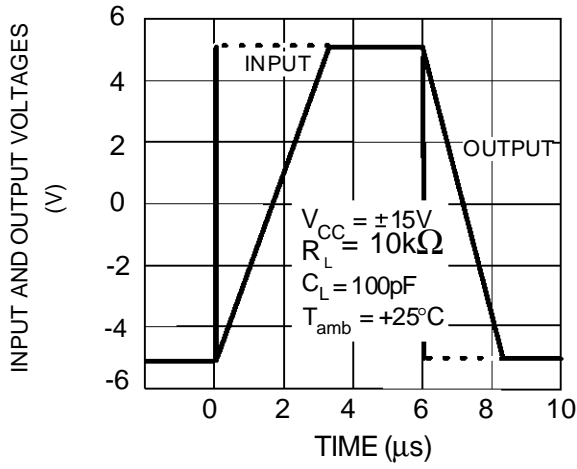
NORMALIZED UNITY GAIN BANDWIDTH, SLEW RATE, AND PHASE SHIFT VERSUS TEMPERATURE



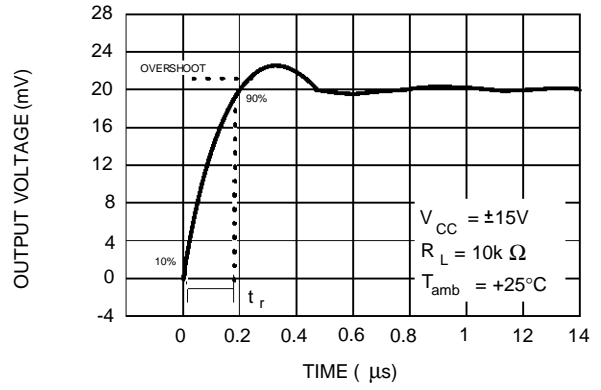
INPUT BIAS CURRENT VERSUS FREE AIR TEMPERATURE



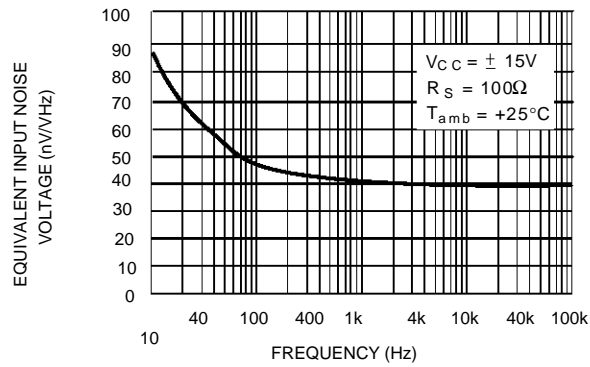
VOLTAGE FOLLOWER LARGE SIGNAL RESPONSE



OUTPUT VOLTAGE VERSUS ELAPSED TIME



EQUIVALENT INPUT NOISE VOLTAGE VERSUS FREQUENCY



PARAMETER MEASUREMENT INFORMATION

Figure 1 : Voltage follower

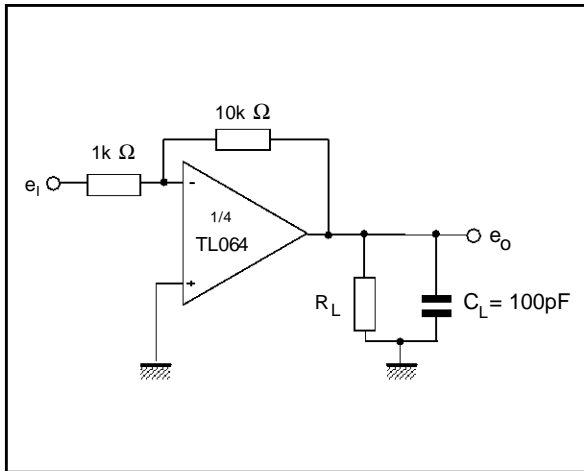
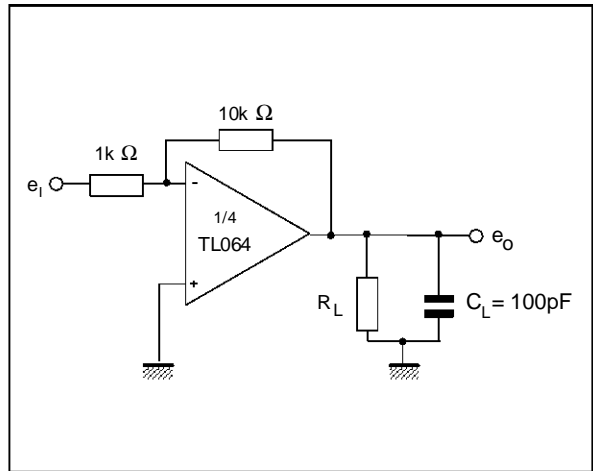
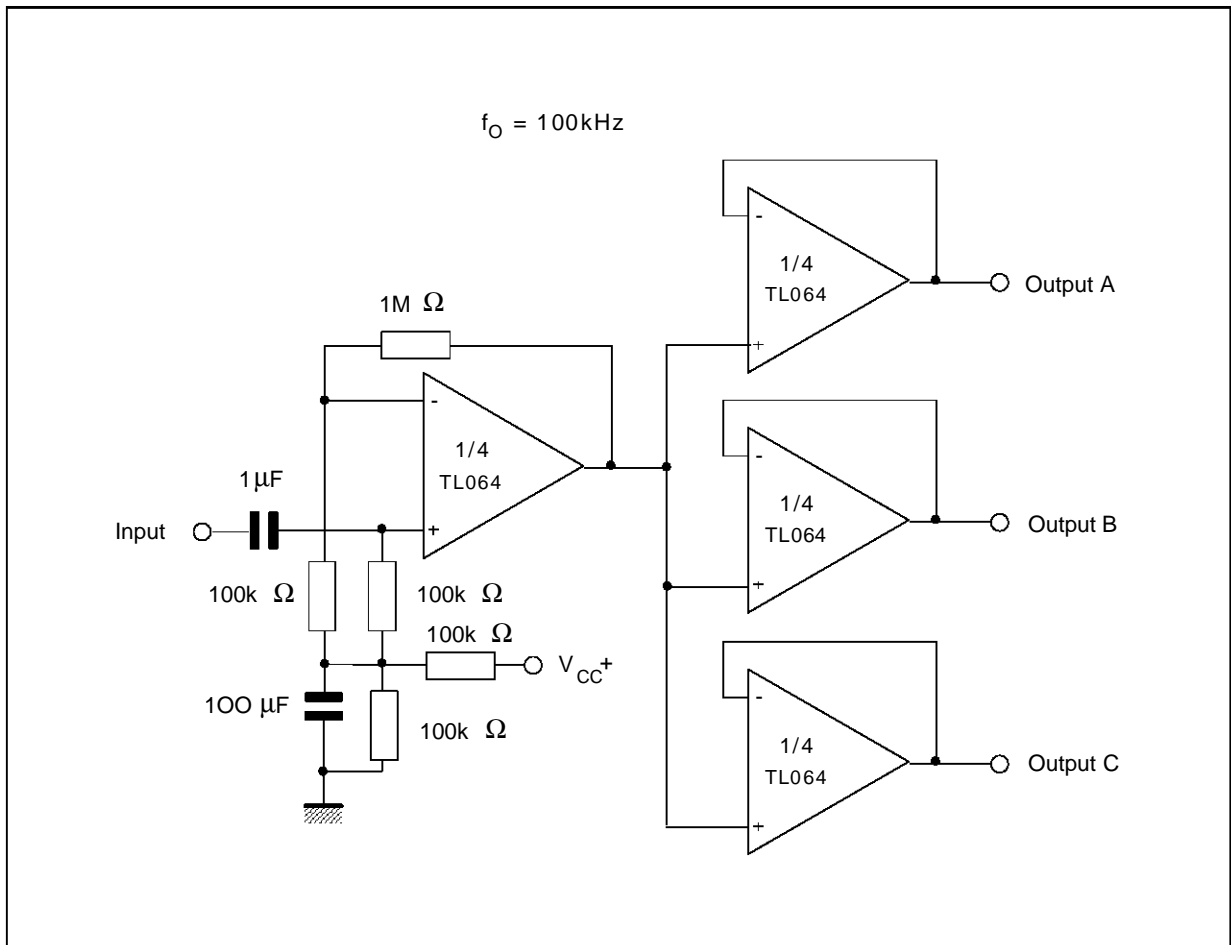


Figure 2 : Gain-of-10 inverting amplifier

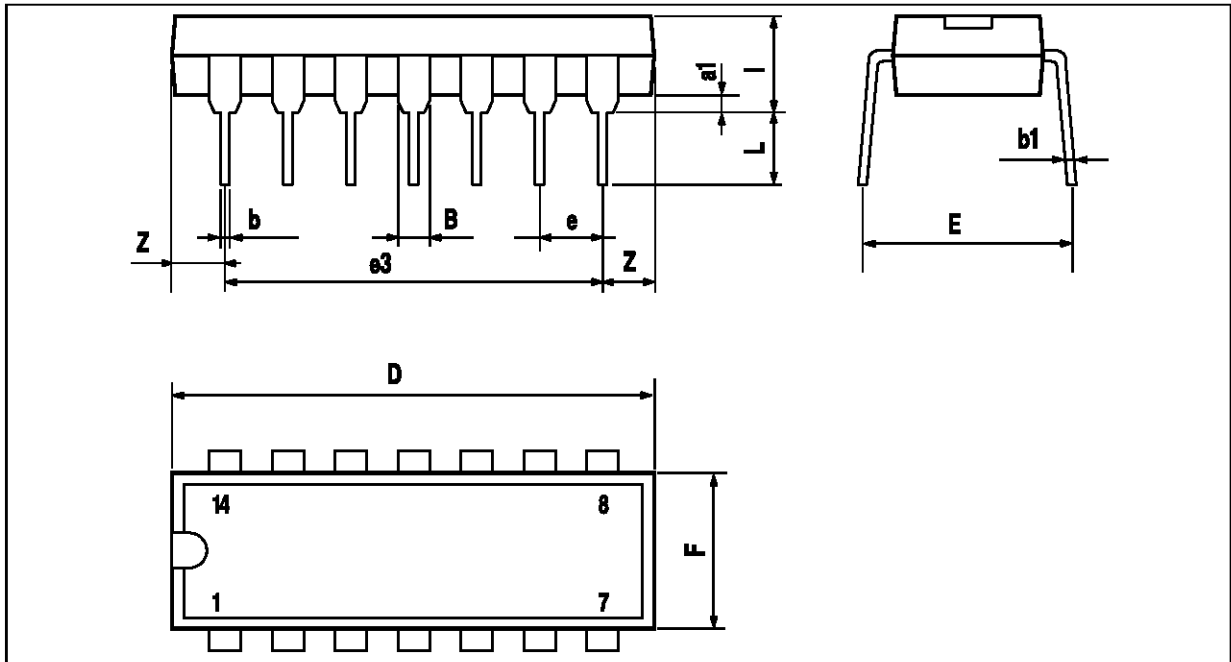


TYPICAL APPLICATION

AUDIO DISTRIBUTION AMPLIFIER



PACKAGE MECHANICAL
14 PINS - PLASTIC DIP



PM-DIP14.EPS

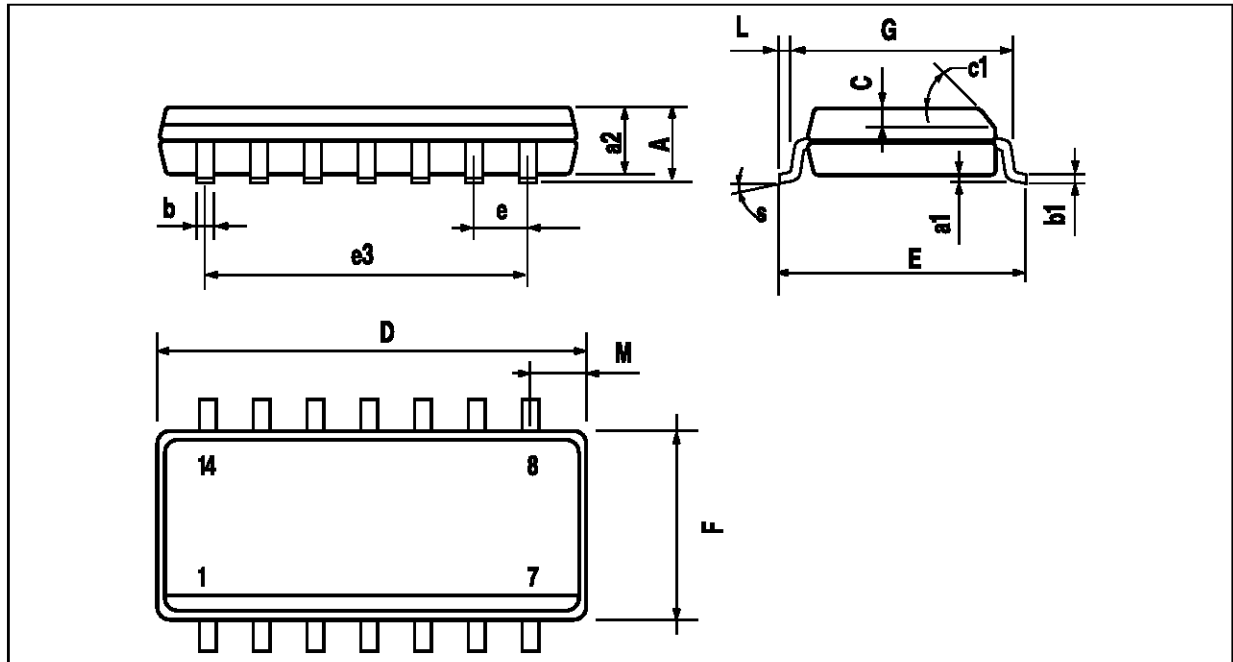
Dimensions	Millimeters			Inches		
	Min.	Typ.	Max.	Min.	Typ.	Max.
a1	0.51			0.020		
B	1.39		1.65	0.055		0.065
b		0.5			0.020	
b1		0.25			0.010	
D			20			0.787
E		8.5			0.335	
e		2.54			0.100	
e3		15.24			0.600	
F			7.1			0.280
i			5.1			0.201
L		3.3			0.130	
Z	1.27		2.54	0.050		0.100

DIP14.TBL

TL064 - TL064A - TL064B

PACKAGE MECHANICAL

14 PINS - PLASTIC MICROPACKAGE (SO)



PM-SO14.EPS

Dimensions	Millimeters			Inches		
	Min.	Typ.	Max.	Min.	Typ.	Max.
A			1.75			0.069
a1	0.1		0.2	0.004		0.008
a2			1.6			0.063
b	0.35		0.46	0.014		0.018
b1	0.19		0.25	0.007		0.010
C		0.5			0.020	
c1	45° (typ.)					
D	8.55		8.75	0.336		0.334
E	5.8		6.2	0.228		0.244
e		1.27			0.050	
e3		7.62			0.300	
F	3.8		4.0	0.150		0.157
G	4.6		5.3	0.181		0.208
L	0.5		1.27	0.020		0.050
M			0.68			0.027
S	8° (max.)					

SO14.TBL

Information furnished is believed to be accurate and reliable. However, SGS-THOMSON Microelectronics assumes no responsibility for the consequences of use of such information nor for any infringement of patents or other rights of third parties which may result from its use. No license is granted by implication or otherwise under any patent or patent rights of SGS-THOMSON Microelectronics. Specification mentioned in this publication are subject to change without notice. This publication supersedes and replaces all information previously supplied. SGS-THOMSON Microelectronics products are not authorized for use as critical components in life support devices or systems without express written approval of SGS-THOMSON Microelectronics.

© 1997 SGS-THOMSON Microelectronics – Printed in Italy – All Rights Reserved

SGS-THOMSON Microelectronics GROUP OF COMPANIES
 Australia - Brazil - Canada - China - France - Germany - Hong Kong - Italy - Japan - Korea - Malaysia - Malta - Morocco
 The Netherlands - Singapore - Spain - Sweden - Switzerland - Taiwan - Thailand - United Kingdom - U.S.A.

ORDER CODE :